



# MODEL H8243 120V/240V ON/OFF PADDLE SWITCH INSTRUCTIONS

For questions or help with this product contact Tech Support at (570) 546-9663 or techsupport@grizzly.com

## **!WARNING**

To reduce risk of serious burns, electrocution or death when installing this switch:

- Only use this switch to replace an existing machine switch that has the same physical configuration and equivalent electrical specifications/ratings.
- Installation must only be performed by an electrician or qualified service personnel, and all applicable electrical codes must be adhered to.
- Turn off and completely disconnect all power sources to the machine before installing the switch.
- Do not use this switch in wet or damp locations, or near explosive fumes or flammable liquids. It is not sealed or rated for these environments.
- Make sure there is a verified machine ground on the circuit this switch is installed.



Figure 1. H8243 ON/OFF Paddle Switch.

## Introduction

The Model H8243 features a recessed START button that can be disabled with a padlock and a large STOP paddle that ensures fast shut off. The switch assembly mounts on a standard electrical box.

## Specifications

Rated HP @ 120V .....	2 HP
Rated HP @ 240V .....	3 HP
Rated Voltage Range .....	120V/240V
Rated Current @ 125V .....	35A
Rated Current @ 250V .....	20A
Resistive Rating.....	600V/15A
Padlock Shaft Size .....	$\frac{3}{16}$ "

COPYRIGHT © FEBRUARY, 2011 BY GRIZZLY INDUSTRIAL, INC., REVISED APRIL, 2011 (TS)  
**WARNING: NO PORTION OF THIS INSTRUCTION SHEET MAY BE REPRODUCED IN ANY SHAPE  
OR FORM WITHOUT THE WRITTEN APPROVAL OF GRIZZLY INDUSTRIAL, INC.**


#TS13815 PRINTED IN CHINA

## Installation

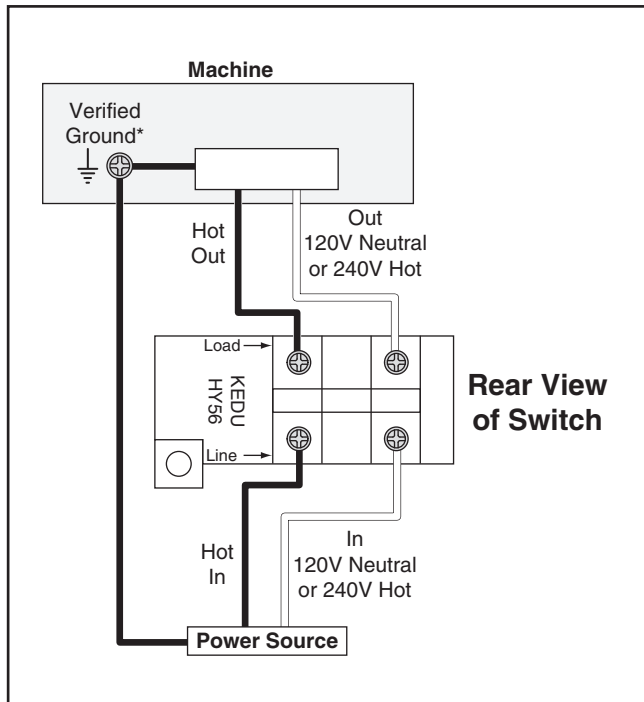
When installing the H8243 switch, use the wiring diagram in **Figure 2** to ensure proper wire connections.

**! WARNING**

**This switch is intended to be connected to stranded wire with insulated crimp-type ring wire terminals.**



**All crimps must be "pull-checked" to ensure that wires are securely crimped and will not fall out with moderate tension or when exposed to normal machine vibration.**



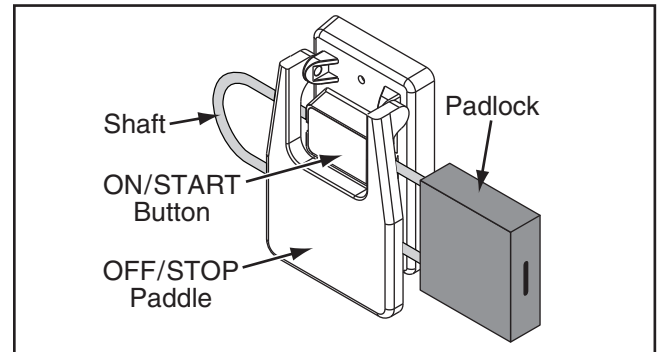
**Figure 2.** H8243 wiring diagram.

\*The machine **MUST** be connected to a verified ground. In the event of certain malfunctions or breakdowns, grounding reduces the risk of electric shock by providing a path of least resistance for electric current.

## Disabling & Locking Switch

The switch can be disabled and locked by inserting a padlock through the ON/START button, as shown. Locking the switch in this manner can prevent unauthorized operation of the machine, which is especially important if the machine is not stored inside an access-restricted building.

**IMPORTANT:** Locking the switch with a padlock only restricts its function. It is not a substitute for disconnecting power from the machine when adjusting or servicing.



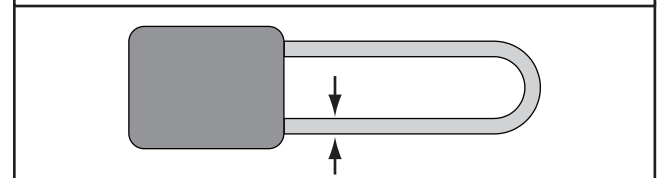
**Figure 3.** Switch disabled by a padlock.

**! WARNING**

**Children or untrained people can be killed or seriously injured by this machine. This risk increases with unsupervised operation. To help prevent unsupervised operation, disable and lock the switch before leaving machine unattended! Place key in a well-hidden or secure location.**

**NOTICE**

**The padlock shaft diameter is important to the disabling function of the switch. With any padlock used to lock the switch, test the switch after installation to ensure that it is properly disabled.**



**Figure 4.** Minimum lock shaft requirements.

